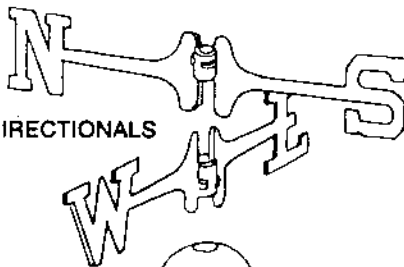


# Assembly Instructions

## Full Size Weathervane

(With RETAINING HOOK)

COPPER SPACER BALL (SMALL)



BRASS DIRECTIONALS

COPPER BALL (LARGE)



SMALL ROD



BRASS RING

LARGE ROD (18")

**YOUR PACKAGE INCLUDES THE FOLLOWING PIECES:**

- 1 Figure (Goose, Duck, Heron, Osprey, Airplane, etc. Whichever one you purchased.)
- 1 Small Copper Ball
- 1 Large Copper Ball
- 1 Set of Brass Directionals
- 1 Brass Ring
- 1 Small Iron Threaded Rod
- 1 Large Iron Rod (18")
- 1 Retaining Hook

ASSEMBLED VIEW

1



POSITION BRASS RING OVER LARGE ROD. TIGHTEN SET SCREW

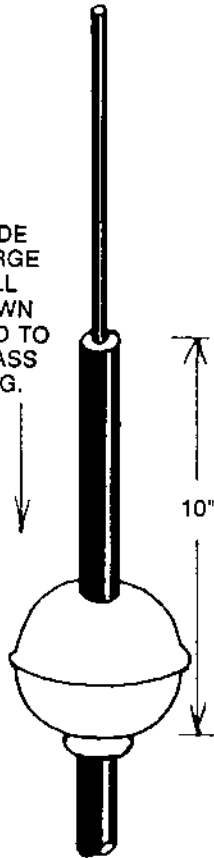
2



THREAD SMALL ROD INTO LARGE ROD. TIGHTEN FIRMLY WITH PLIERS.

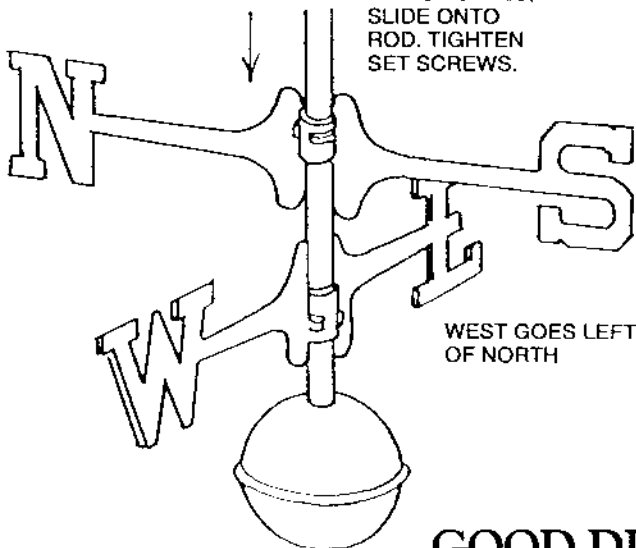
3

SLIDE LARGE BALL DOWN ROD TO BRASS RING.



4

INTERLOCK DIRECTIONALS. SLIDE ONTO ROD. TIGHTEN SET SCREWS.

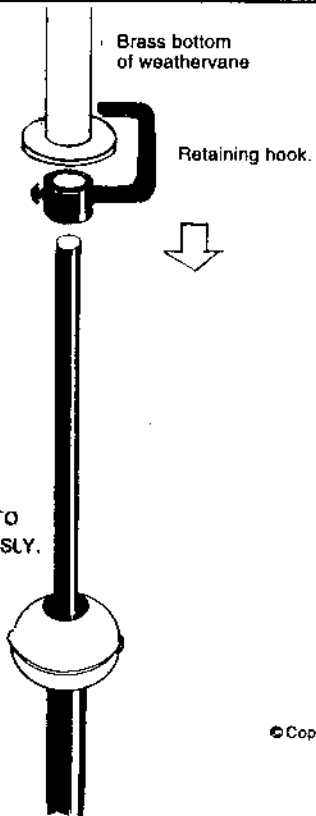


WEST GOES LEFT OF NORTH

5

APPLY COMMON GREASE TO ROD SO VANE WILL ROTATE FREELY.

SLIDE WEATHERVANE AND RETAINING HOOK ONTO SMALL ROD SIMULTANEOUSLY. TIGHTEN SET SCREW.



GOOD DIRECTIONS,™ INC.